



Spend a little Live a lot.

KIRKTON HOUSE®

PHOTO FRAME WALL CLOCK



User Manual

GB IRE

PRODUCED IN CHINA FOR:
ALDI STORES LTD. PO BOX 26,
ATHERSTONE,
WARWICKSHIRE, CV9 2SH

ALDI STORES (IRELAND) LTD.
PO BOX 726, NAAS, CO. KILDARE.
Visit us at www.aldi.com

3

YEARS
WARRANTY

AFTER SALES SUPPORT 86919

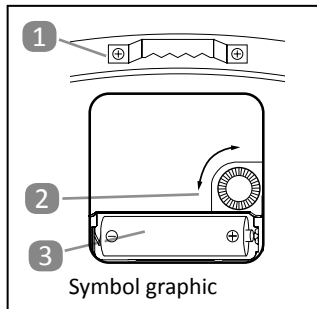
GB 00800 7877 2368

IRE 00800 7877 2368

service@protel-service.com

MODEL:
AE8-WUB-1

11/2018



Great care has gone into the manufacture of this product and it should therefore provide you with years of good service when used properly.

In the event of product failure within its intended use over the course of the first 3 years after date of purchase, we will remedy the problem as quickly as possible once it has been brought to our attention. In the unlikely event of such an occurrence, or if you require any information about the product, please contact us via our helpline support services, details of which are to be found both in this manual and on the product itself.

Device parts/delivery content

- 1 Suspension attachment
- 2 Adjustment wheel
- 3 Battery compartment
Battery LR6/R6/AA
(already inserted)

ACTIV ENERGY

General information

Reading and storing the user manual



This user manual accompanies this Photo Frame Wall Clock. It contains important information on handling the product. For improved readability, the photo frame wall clock will be referred to below simply as the "clock." Before using the clock, read the user manual carefully. This particularly applies to the safety notes. Failure to observe this user manual may result in severe injury or damage to the clock. When abroad, you must also observe country-specific guidelines and laws. Store the user manual for future use. If you pass the clock on to third parties, please be absolutely sure to include this user manual.

Explanation of symbols

The following symbols and signal words are used in this user manual, on the clock or on the packaging.



WARNING!

This symbol/signal word designates a hazard with moderate degree of risk which may lead to death or severe injury if not avoided.

NOTICE!

This signal word warns against potential damages to property.



Declaration of conformity (see chapter "Declaration of conformity"): Products labelled with this symbol meet all applicable provisions of the European Economic Area.

Safety

Proper use

The clock is designed only as a means for keeping time and as a picture frame. The clock is only intended for private use and not suitable for commercial purposes. Only use the clock as described in this user manual. Any other use is considered improper and may result in damage to property. The manufacturer or vendor accepts no liability for damage caused by improper or incorrect use.

Safety notes



WARNING!

Danger of suffocation and risk of injury!

The clock contains batteries and small parts. While playing, children could swallow batteries, small parts, or package wrappings and choke.

- Keep the batteries, small parts, and package wrappings away from infants/small children.
- If a battery or small parts are swallowed, seek immediate medical attention.
- Keep the clock out of the reach of infants/small children.



WARNING!

Risk of explosion and chemical burns!

Improper handling of batteries poses the risk of explosions or chemical burns caused by leaking battery acid.

- Only replace the battery with equivalent battery types.
- Do not charge or reactivate the batteries, do not disassemble them, do not dispose of them in fire and do not short circuit them.
- Do not expose the battery to intense heat like sunshine or fire. Risk of leakage!
- When inserting the battery, make sure that the polarity (+/-) is correct.
- Immediately remove an empty battery from the clock.
- Do not allow battery acid to come into contact with skin, eyes, or mucous membranes.
- In the event of contact with battery acid, rinse the affected areas immediately with plenty of water and, if you experience an unexpected reaction, see a doctor immediately.
- If the battery in the clock has leaked, also clean the battery contacts.
- Do not use rechargeable batteries.



WARNING!

Danger for children and persons with impaired physical, sensory or mental capacities (e.g. partially disabled persons, older persons with reduced physical and mental capacities) or lack

of experience and knowledge (e.g. older children).

This clock is not intended for use by persons (including children) with reduced physical, sensory or mental capabilities, or lack of experience and knowledge, unless they have been given supervision or instruction concerning use of the clock by a person responsible for their safety. Children must not play with the clock. Cleaning and user maintenance may not be performed by children unless they are under supervision.

- Keep children away from the clock.
- Do not let children play with the packaging wrapper. They could swallow it and suffocate.

Further information and this user manual can be found at www.krippel-watches.de.

NOTICE!

Risk of damage!

If you use the clock improperly or water penetrates the housing, the clock or the battery may be damaged.

- Protect the clock from exposure to dirt and dust, extreme heat and sunlight.
- Keep the clock away from open flames (e.g. candles).
- Do not drop the clock, do not expose it to shocks and impacts, and do not apply pressure to the clock.
- Never immerse the clock in water.
- Make sure that no water penetrates the housing.

Checking the clock and package contents

1. Remove the clock from the packaging.
2. Check whether the product contents are complete and if the clock is damaged or not.
3. If the delivery is incomplete and/or if parts are damaged, do not use the clock. Contact the manufacturer via the service address indicated on the warranty card.

Initial use

The hands of the clock are protected by a plastic cover and they are fixed. Please remove the plastic cover and the fixation of the hands carefully. The battery has already been inserted into the battery compartment **3**; however the contact is interrupted by a battery isolation strip. Remove the isolation strip to start up the clock.

Operation

Set the right time

Set the time by turning the adjustment wheel **2** until the correct time is displayed. It makes no difference whether you turn clockwise or counterclockwise.

Hang up the clock on the wall



Risk of electric shock!

Improper hanging up may cause electrical shock.

- Make sure there are no cables or other electrical wires behind the intended location for the screws.
- Hang the clock through the suspension attachment **1** on the top of the rear side on two appropriate screws which are fixed with dowels at a suitable location on the wall, so that the clock is attached straight.

Battery change and technical data

Remove the empty battery from the battery compartment **3** at the rear of the clock. Insert a new 1.5 V battery type LR6/R6/AA (1 x 1.5 V LR6/R6/AA) ensuring correct polarity. Please only replace a battery by a battery of equal type.

Cleaning

NOTICE!

Risk of damage!

Improper cleaning may damage the clock.

- Do not use any aggressive cleaners, sharp or metallic cleaning utensils such as knives or similar. They could damage the surfaces.
- Clean the clock with a soft, damp cloth.

Declaration of conformity

RoHS-Directive 2011/65/EU, EMC Directive 2014/30/EU



Krippel-Watches hereby declares that the clock is in compliance with the essential requirements and other relevant provisions of the directives 2011/65/EU and 2014/30/EU. The complete declaration of conformity text can be requested from our service centre via the contact information on the warranty card.

Disposal

Disposing of the packaging

Dispose of the packaging sorted according to type. Dispose of cardboard with waste paper recycling and leave films with your recyclables collection point.

Disposing of the clock

(Applicable in the European Union and other European countries with established systems for separated collection of recyclables.)

Waste equipment must not be disposed of together with domestic waste!



This symbol indicates that disposing of this product together with domestic waste is prohibited under the directive on waste electrical and electronic equipment (2012/19/EU) and national laws. This product must be left with a collection point specifically designated for this purpose. This can be carried out by returning the product on purchasing a similar product or leaving the product with an authorised collection point for recycling of waste electrical and electronic equipment. Due to potentially hazardous materials which are often contained in waste electrical and electronic equipment, incorrect handling of waste equipment may have adverse effects on the environment and human health. By disposing of this product correctly you also contribute to an effective usage of natural resources. Information on waste equipment collection points can be obtained at your local authorities, public bodies responsible for waste management, an authorised body responsible for the disposal of waste electrical and electronic equipment or your waste collection service.

Batteries must not be disposed of together with domestic waste!



As a consumer you are required by law to leave any batteries, regardless of whether they contain hazardous material* or not, with a collection point in your community / your borough or return them to your retailer to be disposed of in an environmentally friendly manner. *marked with: Cd = Cadmium, Hg = Mercury, Pb = Lead

CUSTOMER Service

We request all customers contact us via the **internet**, **e-mail** or **phone** before returning any products to us.

Please have the **model no.**, ready, which can be found either **on the back or on the bottom** of the product.

@ service@protel-service.com
Toll-free service hotline
00800 7877 2368 (No country code necessary)